

WTx-4-IP68

Junction Box

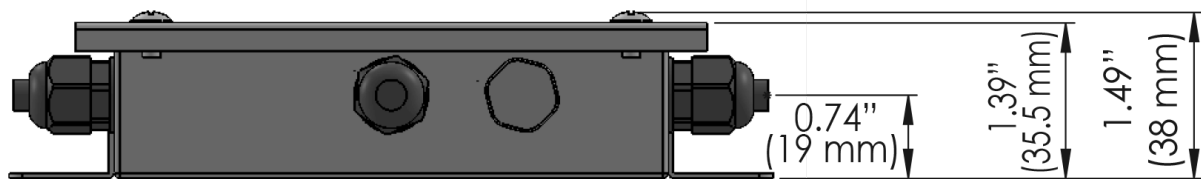
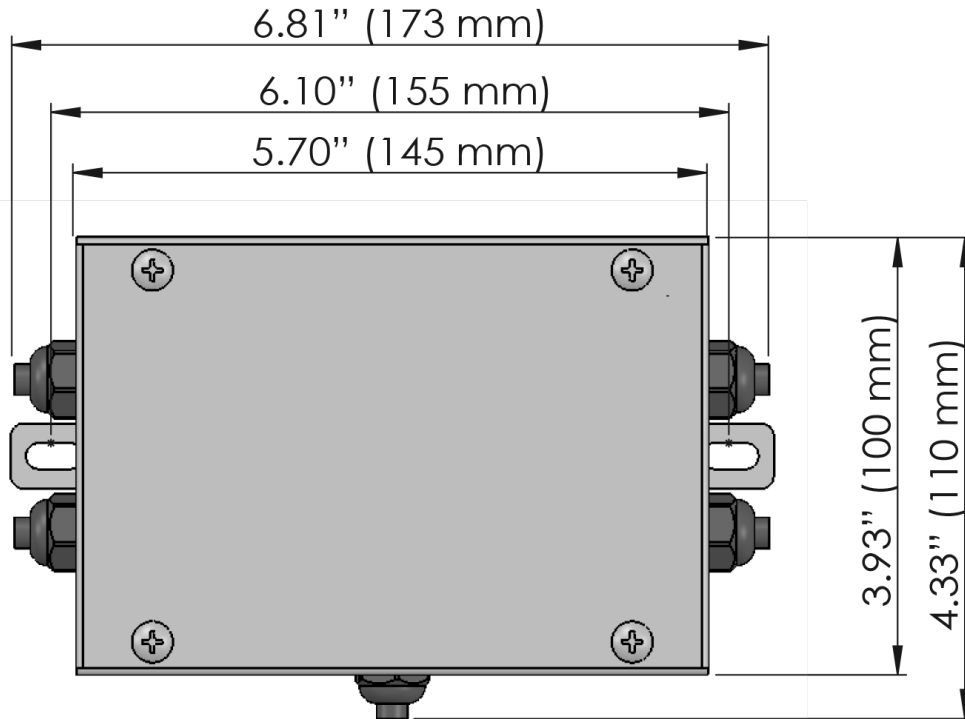
4 Load Cells



Special Features:

- Box made of stainless steel;
- Degree of protection IP-68;
- Robust construction, high resistance;
- Holds cables with outer diameter from 4mm to 7mm;
- Individual adjustment of cells per Trimmers;
- Designed for cells of 4 wires;
- Allows use of cells of 6 wires*.

**DIMENSIONS
(inches and mm)**



TECHNICAL DATA

Maximum No. of connected cells	4
Signal type	Analogical
Allows expansion	No
Outer diameter of cables	0,16" ~ 0,28" (4mm ~ 7mm)
Construction of the capsule	Sealed in stainless steel
Use with 4-wire cells	Yes
* Use with cells of six wires	Yes (On +SEN with +E and -SEN with -E)
Set point adjustment trimpots	Between +Vcc and +E of the bornes L1, L2, L3 e L4
Degree of protection	IP-68
Approximate weight	600 g

WIRES CONNECTION