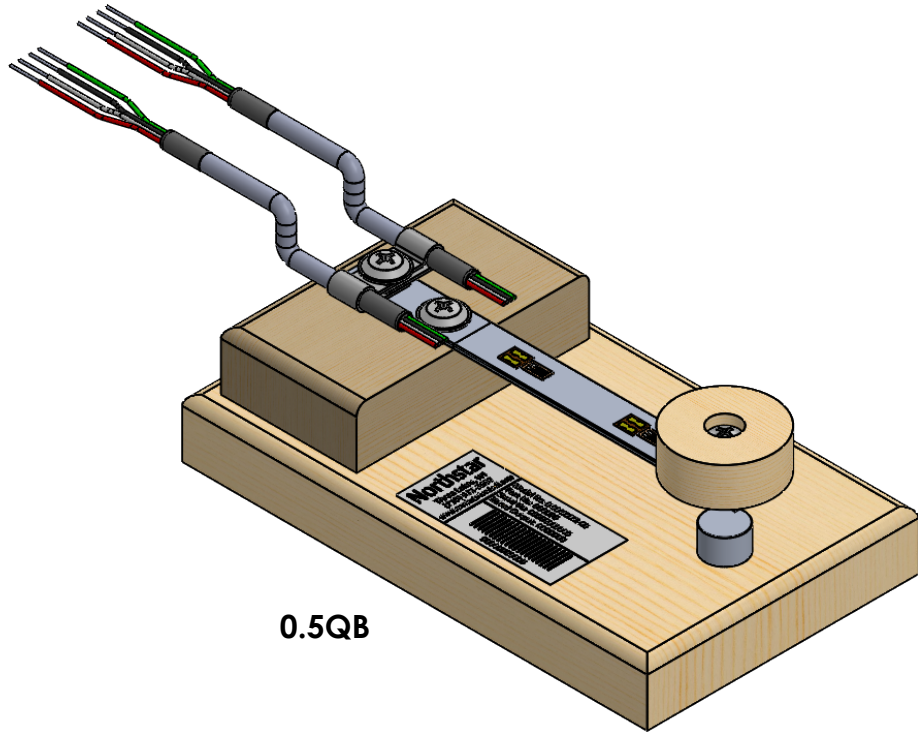


2

1

NOTES:

- 1. THIS DOCUMENT IS FOR REFERENCE ONLY
DIMENSIONS ARE SUBJECT TO CHANGE.



0.5QB

Specification	Units	Value
Model		0.5QB
Part Number		100160
Cable Length	feet (meters)	6 (1.8)
Rated Load	lbs (g)	0.441 (200)
Rated Output	microstrain	Gage 1: +150 ± 25
		Gage 2: +390 ± 25
		Gage 3: -150 ± 25
		Gage 4: -390 ± 25
Zero Balance	microstrain	±500
Gage Resistance	Ohms	350 ± 1
Gage Factor Δ	microhm/ohm/ microstrain	2.05-2.15
Excitation	Volts	5 to 15
Insulation Resistance	Megohm	≥ 5000
Wire Connections		Gage 1: Black/Green
		Gage 2: Red/White
		Gage 3: Black/Green
		Gage 4: Red/White

B

B

A

A

REV.	DESCRIPTION	PROJECT	DATE	DRAWN
C	SEE SHEET 3	NSPJ000016	5/2/2020	DJF
B	ADDED GAGE FACTOR TO TABLE	NSPJ000016	4/22/2020	DJF
A	RELEASED	NSPJ000016	4/19/2020	DJF

REVISIONS



UNLESS OTHERWISE SPECIFIED
DIMENSIONS ARE IN INCHES.
TOLERANCES:
FRACTIONAL ± 1/64
ANGULAR ± 1 DEG
TWO PLACE DECIMAL ± .01
THREE PLACE DECIMAL ± .005

	NAME	DATE
DRAWN	DJF	4/19/2020
CHECKED		
MATERIAL		
FINISH	NONE	
DO NOT SCALE DRAWING		

TITLE: CELL - 0.5QB-6 QUARTER BRIDGE DEMO UNIT		
SIZE	DWG. NO.	REV
A	100160	C
SCALE: 1:1.7	WEIGHT:	SHEET 1 OF 3

2

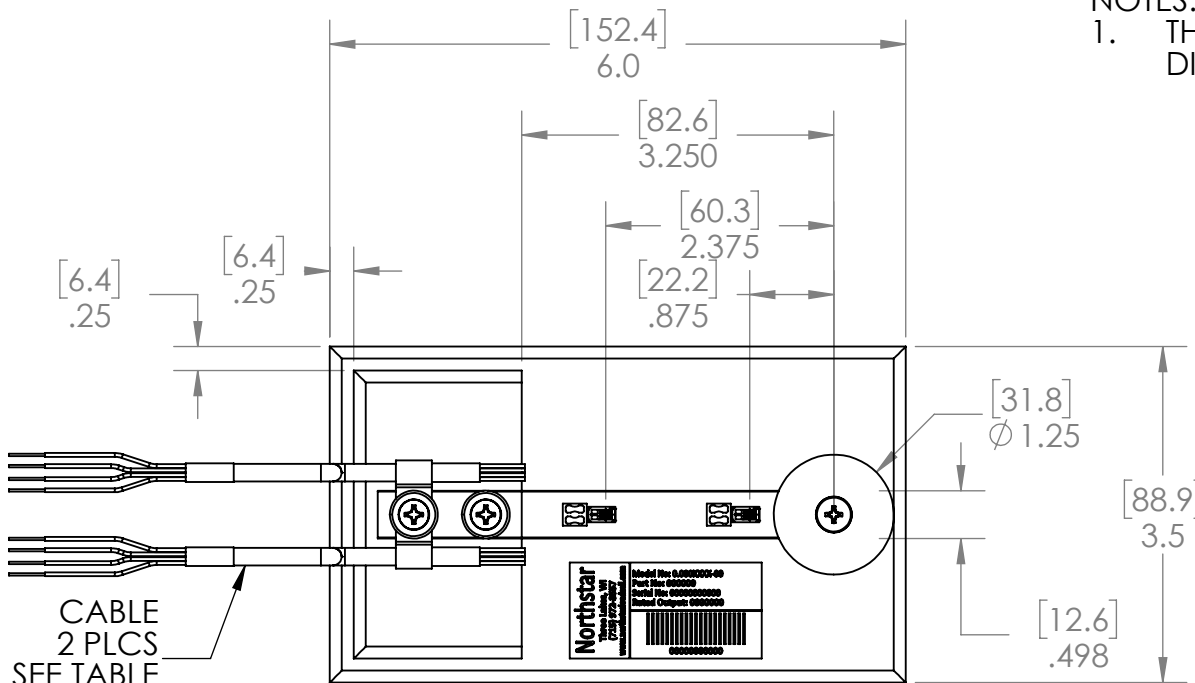
1

2

1

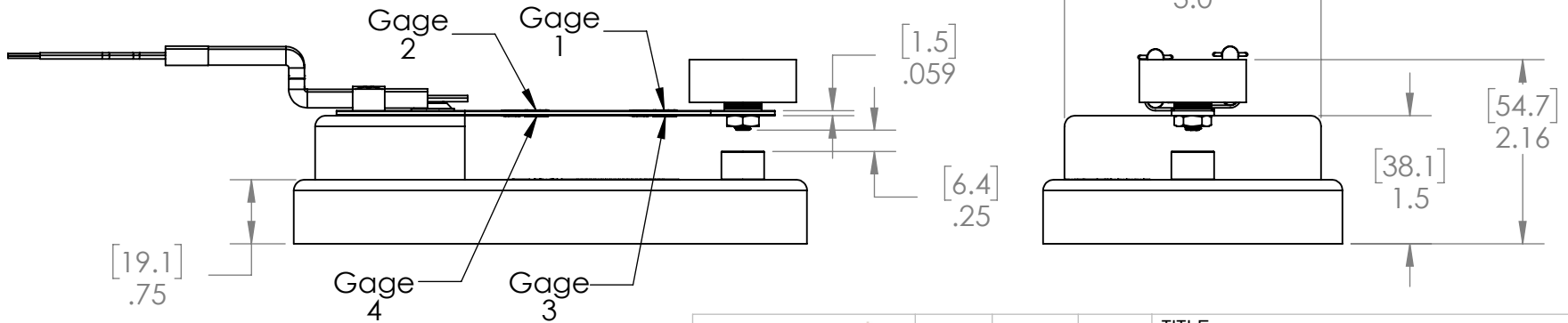
B

B



NOTES:

1. THIS DOCUMENT IS FOR REFERENCE ONLY
DIMENSIONS ARE SUBJECT TO CHANGE.



A

A

REV.	DESCRIPTION	PROJECT	DATE	DRAWN
C	SEE SHEET 3	NSPJ000016	5/2/2020	DJF
B	SEE TABLE SHEET 1	NSPJ000016	4/22/2020	DJF
A	RELEASED	NSPJ000016	4/19/2020	DJF

REVISIONS



UNLESS OTHERWISE SPECIFIED
DIMENSIONS ARE IN INCHES.
TOLERANCES:
FRACTIONAL ± 1/64
ANGULAR ± 1 DEG
TWO PLACE DECIMAL ± .01
THREE PLACE DECIMAL ± .005

	NAME	DATE
DRAWN	DJF	4/19/2020
CHECKED		
MATERIAL		
FINISH	NONE	
DO NOT SCALE DRAWING		

TITLE: CELL - 0.5QB-6 QUARTER BRIDGE DEMO UNIT		
SIZE	DWG. NO.	REV
A	100160	C
SCALE: 1:2	WEIGHT:	SHEET 2 OF 3

2

1

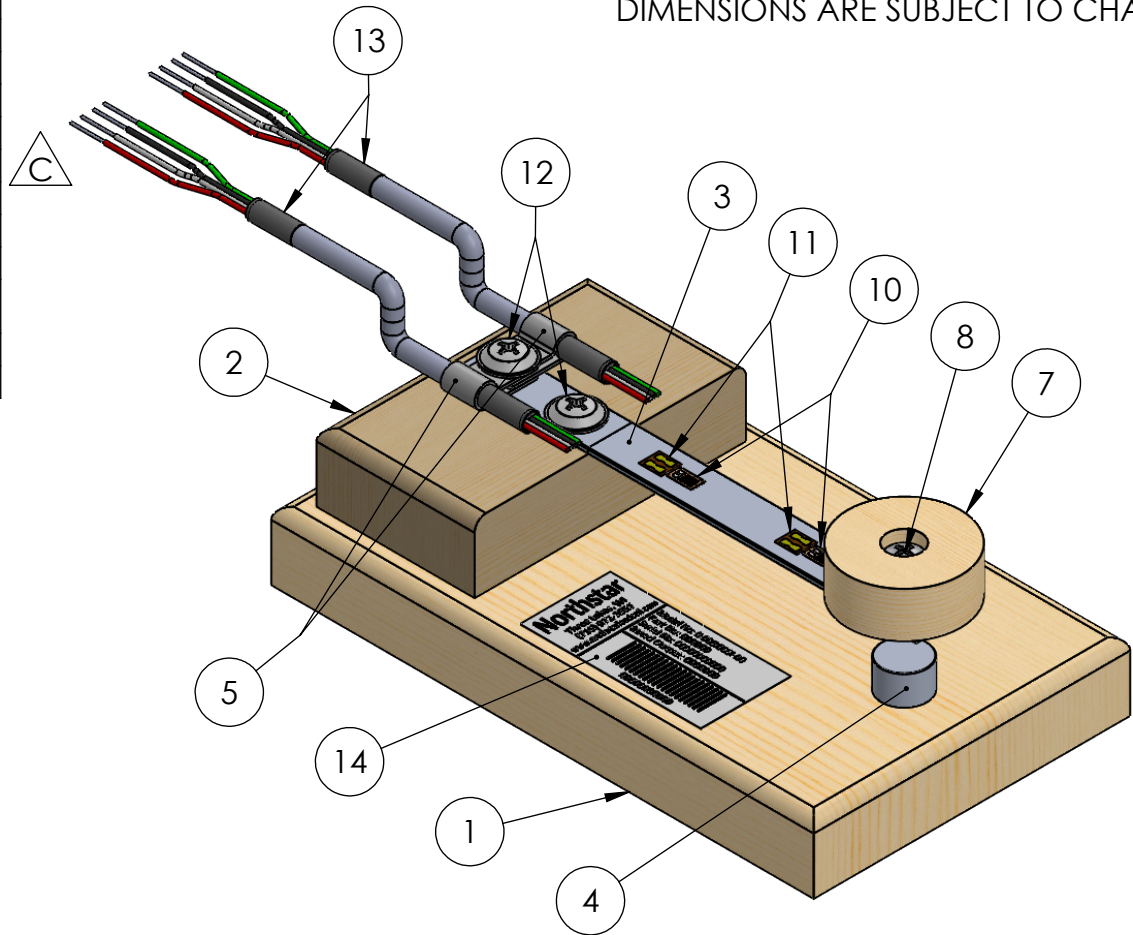
2

1

ITEM NO.	PART NUMBER	DESCRIPTION	QTY.
1	100152	BASE - WOOD BLOCK	1
2	100153	BASE EDGE - WOOD BLOCK	1
3	100151	BAR - ALUMINUM, 6063-T5	1
4	100154	BUTTON - ALUMINUM	1
5	100086	LOOP CLAMP - 3/16" ID	2
6	100158	WASHER - #10	4
7	100162	BUTTON - LOAD	1
8	100156	BHPS - #10-32 X 0.625", PHILLIPS	1
9	100157	NUT - #10-32	1
10	100013	STRAIN GAGE - LINEAR	4
11	100005	SOLDER TAB - 0.25", 2 POSITION	4
12	100155	SCREW - #8 X 5/8", WASHER HEAD, PHILLIPS	2
13	100159	CABLE - 0.184"DIA X 6'	2
14	100163	LABEL - LOAD CELL	1

NOTES:

1. THIS DOCUMENT IS FOR REFERENCE ONLY
DIMENSIONS ARE SUBJECT TO CHANGE.



B

B

A

A

REV.	DESCRIPTION	PROJECT	DATE	DRAWN
C	100156 - 0.625" WAS 1" IN ERROR	NSPJ000016	5/2/2020	DJF
B	SEE TABLE SHEET 1; CORRECTED REV TABLE	NSPJ000016	4/22/2020	DJF
A	RELEASED	NSPJ000016	4/21/2020	DJF

REVISIONS



	NAME	DATE
DRAWN	DJF	4/19/2020
CHECKED		
MATERIAL		
FINISH	NONE	
DO NOT SCALE DRAWING		

UNLESS OTHERWISE SPECIFIED
DIMENSIONS ARE IN INCHES.
TOLERANCES:
FRACTIONAL ± 1/64
ANGULAR ± 1 DEG
TWO PLACE DECIMAL ± .01
THREE PLACE DECIMAL ± .005

TITLE:		SIZE	DWG. NO.	REV
CELL - 0.5QB-6 QUARTER BRIDGE DEMO UNIT		A	100160	C
SCALE: 1:1.5		WEIGHT:		SHEET 3 OF 3

2

1